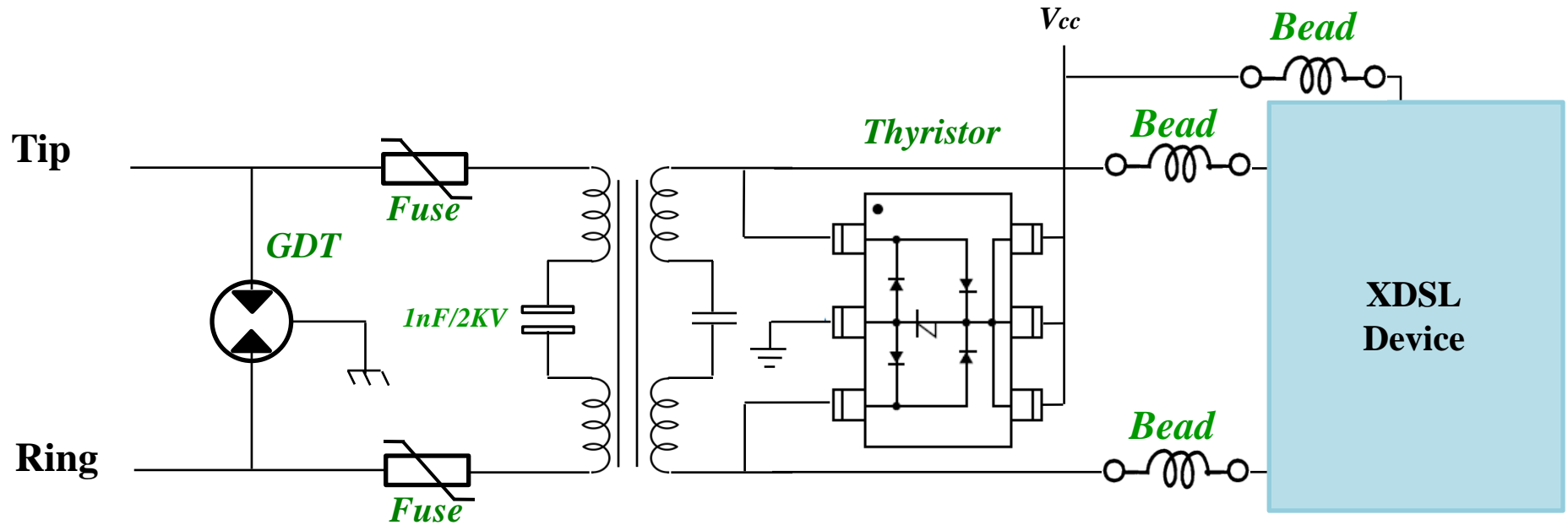


RJ11 xDSL Protection



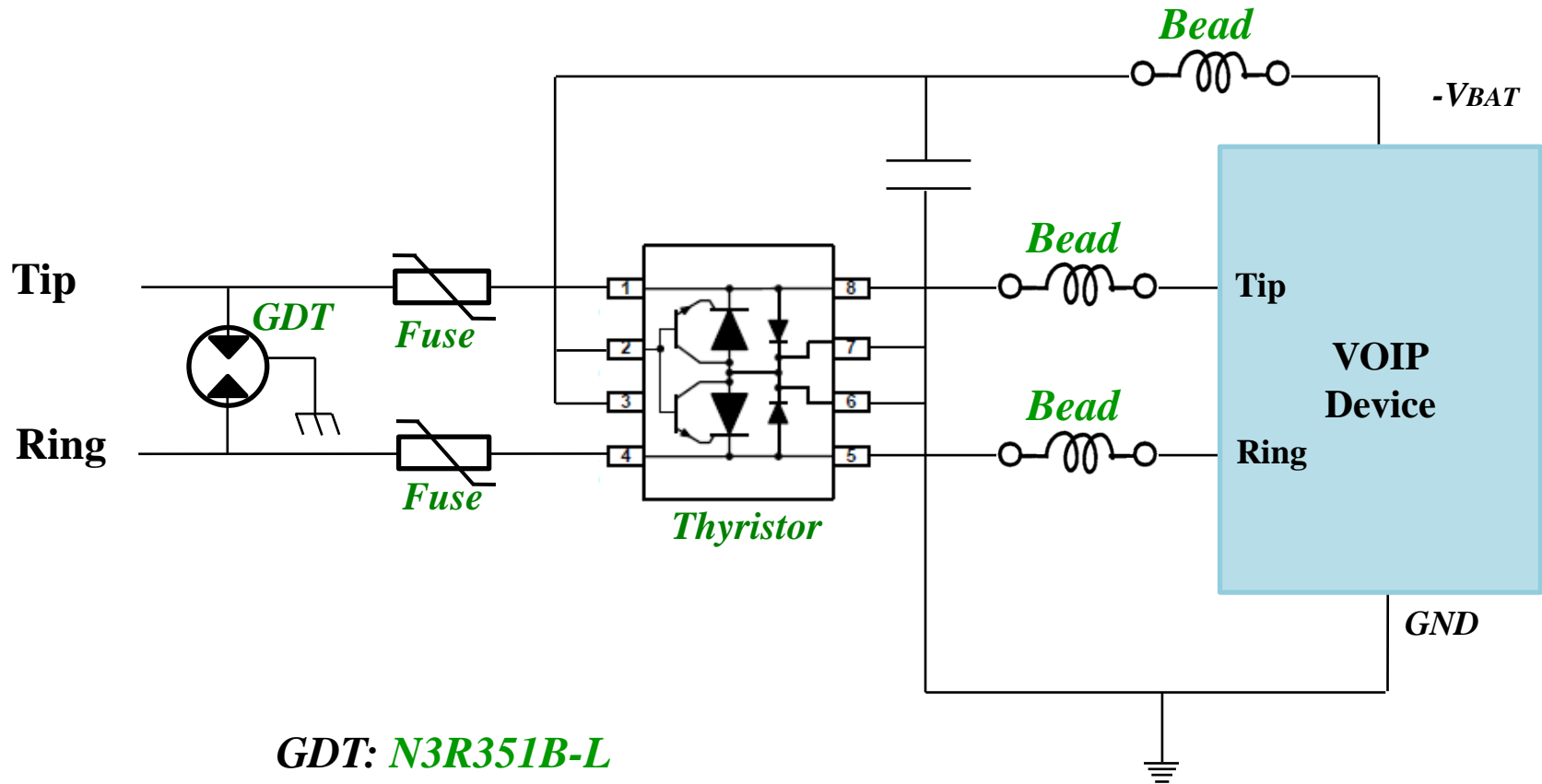
GDT: N3R351B-L

Thyristor : T8111-190

Fuse: CP-50-C

Bead : BTLK1005121T / BTLK2012221ET

RJ11 VoIP Protection



GDT: N3R351B-L

Fuse: CP-50-C

Thyristor: T1069C

Bead : BTLK1005121T / BTLK2012221ET