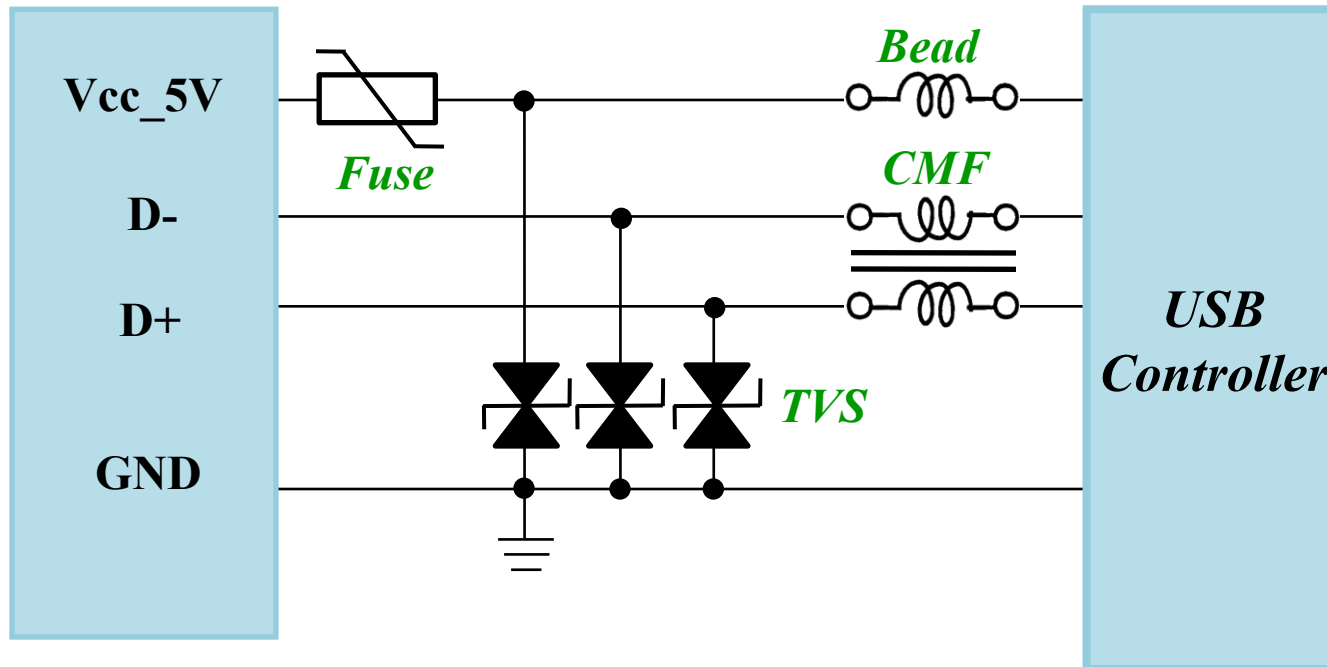


# USB 2.0 (Single)



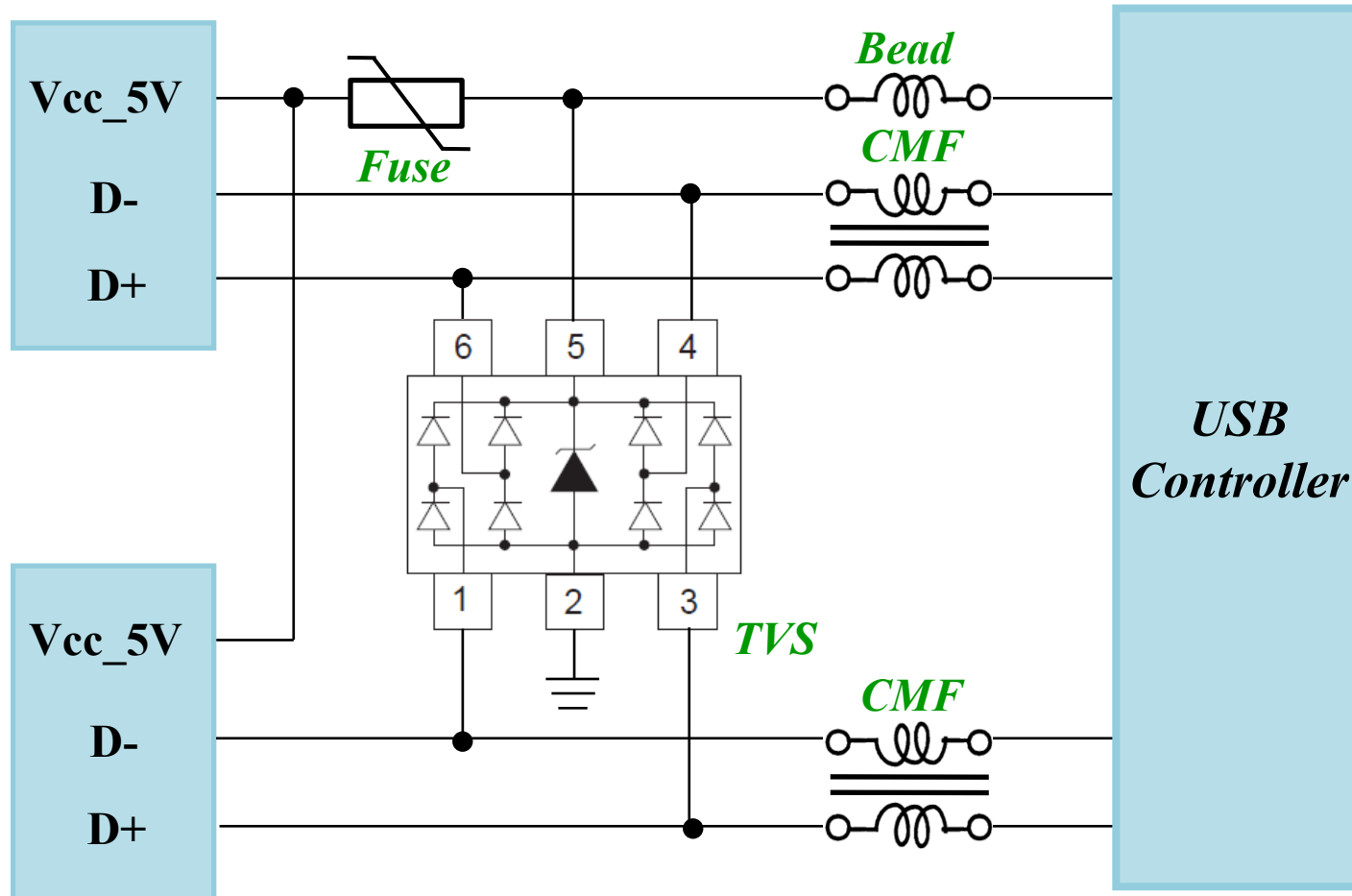
*Fuse : MF-NSMF110-2*

*TVS : PDWL5R0R35-DFN1006*

*CMF : CMT2012900T*

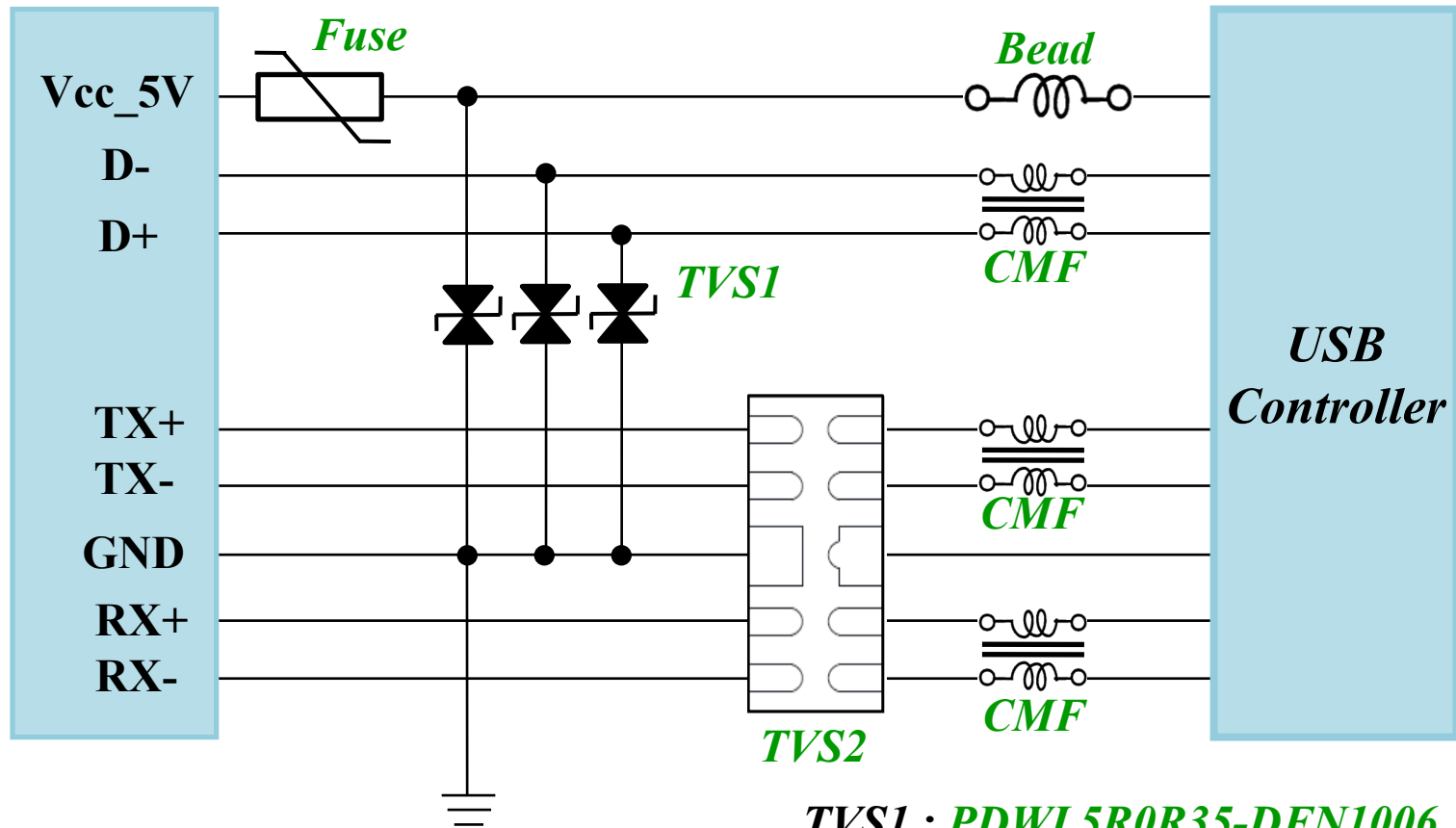
*Bead : BTLK1005121T / BTLK2012221ET*

# USB 2.0 (Array)



*Fuse* : MF-NSMF110-2  
*TVS* : PDWL5R0R45-SOT236  
*CMF* : CMT2012900T  
*Bead* : BTLK1005121T / BTLK2012221ET

# USB 3.2 Gen 2



**TVS1 : PDWL5R0R35-DFN1006**

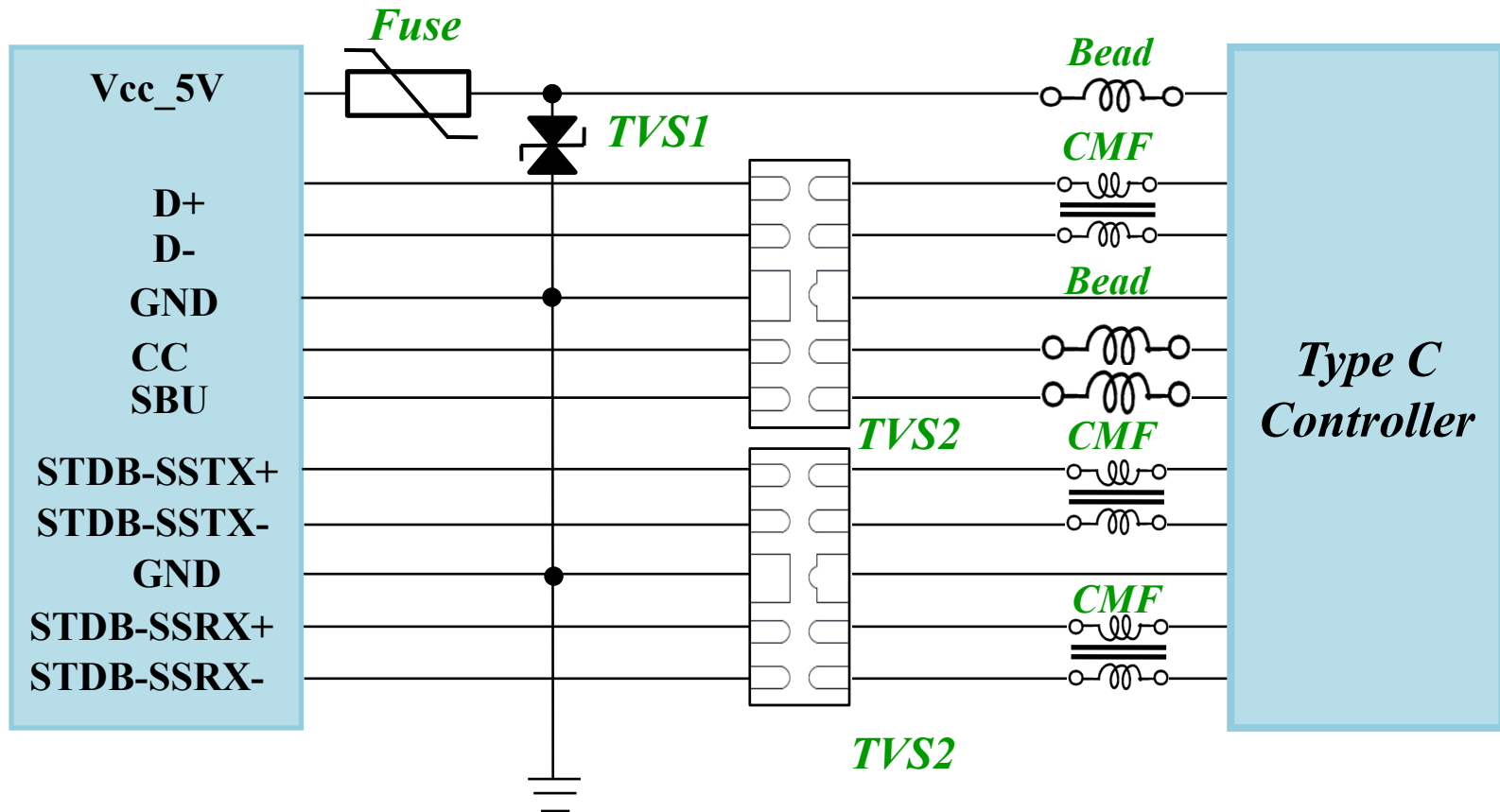
**TVS2 : D2550-5R5**

**Fuse : MF-NSMF110-2**

**CMF : CMTU2012900T**

**Bead : BTLK1005121T / BTLK2012221ET**

# Type C



**TVS1:** *PDWL5R0R35-DFN1006*

**TVS2:** *D2550-5R5*

**Fuse:** *MF-NSMF110-2*

**CMF :** *CMTU2012900T*

**Bead :** *BTLK1005121T / BTLK2012221ET*