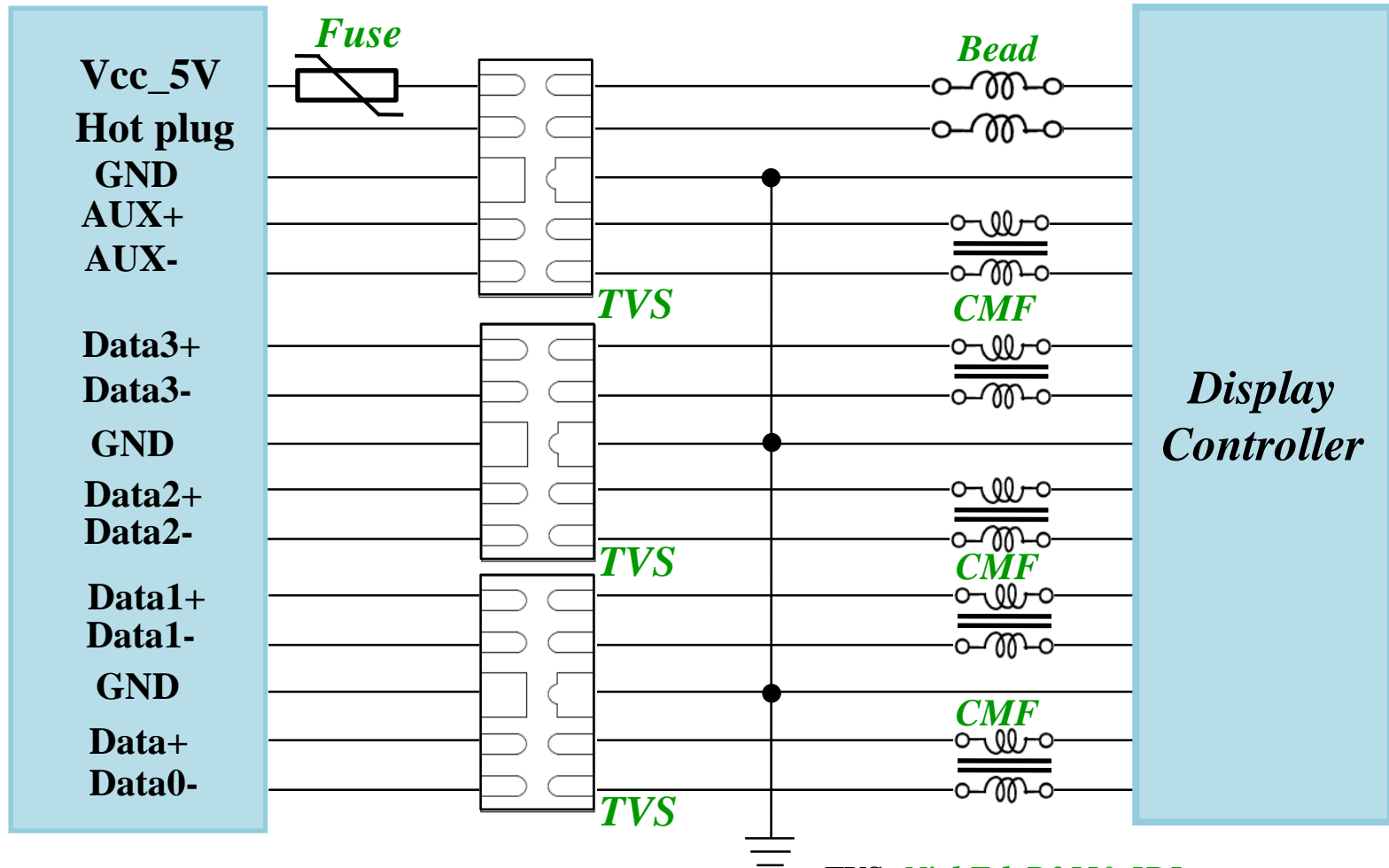


Display Port



TVS: NichTek D2550-5R5

Fuse: Bourns MF-NSMF110-2

CMF : NichTek CMTU2012900T

Bead : NichTek BTLK1005121T / BTLK2012221ET