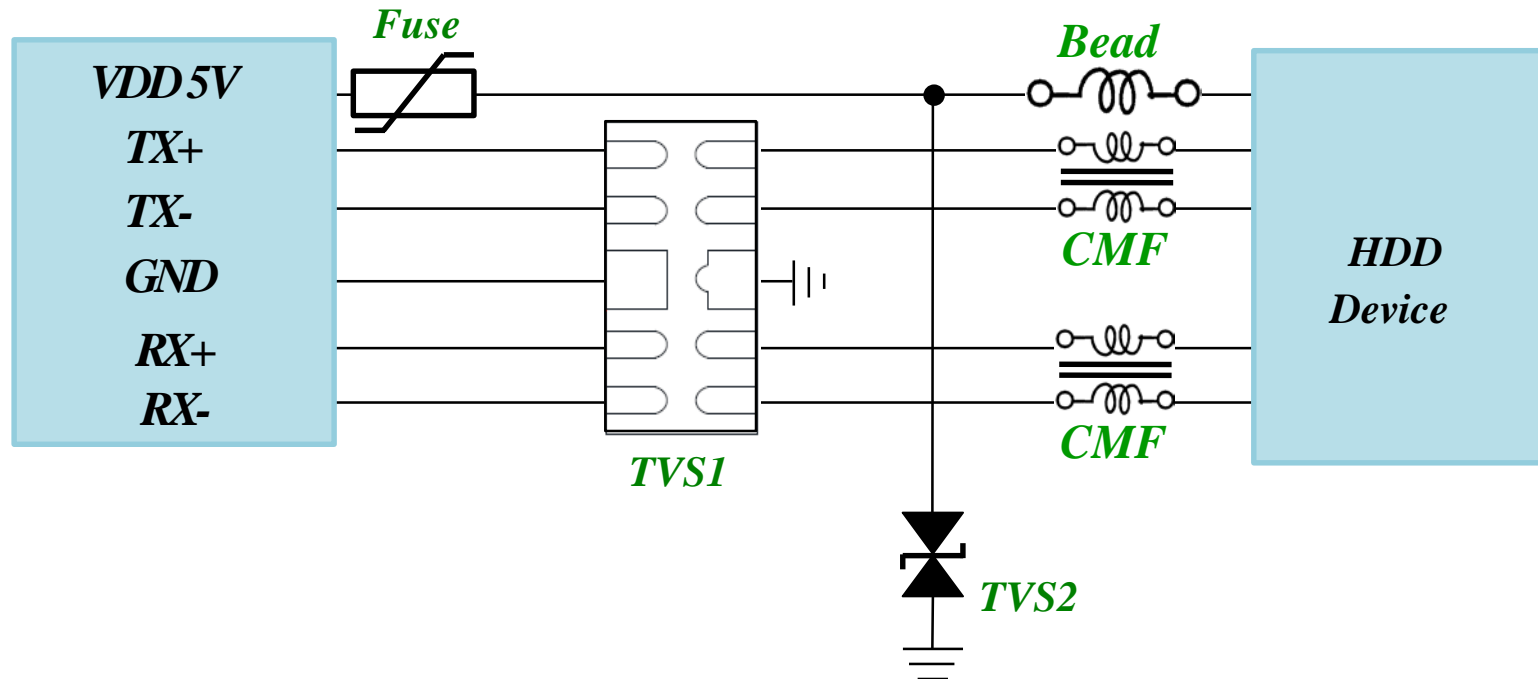


# SATA 3



*Fuse: Bourns MF-NSMF110-2*

*TVS1: NichTek D2550-5R5*

*TVS2: NichTek PDWB5R00R8-SOD323*

*CMF : NichTek CMTU2012900T*

*Bead : NichTek BTLK1005121T / BTLK2012221ET*