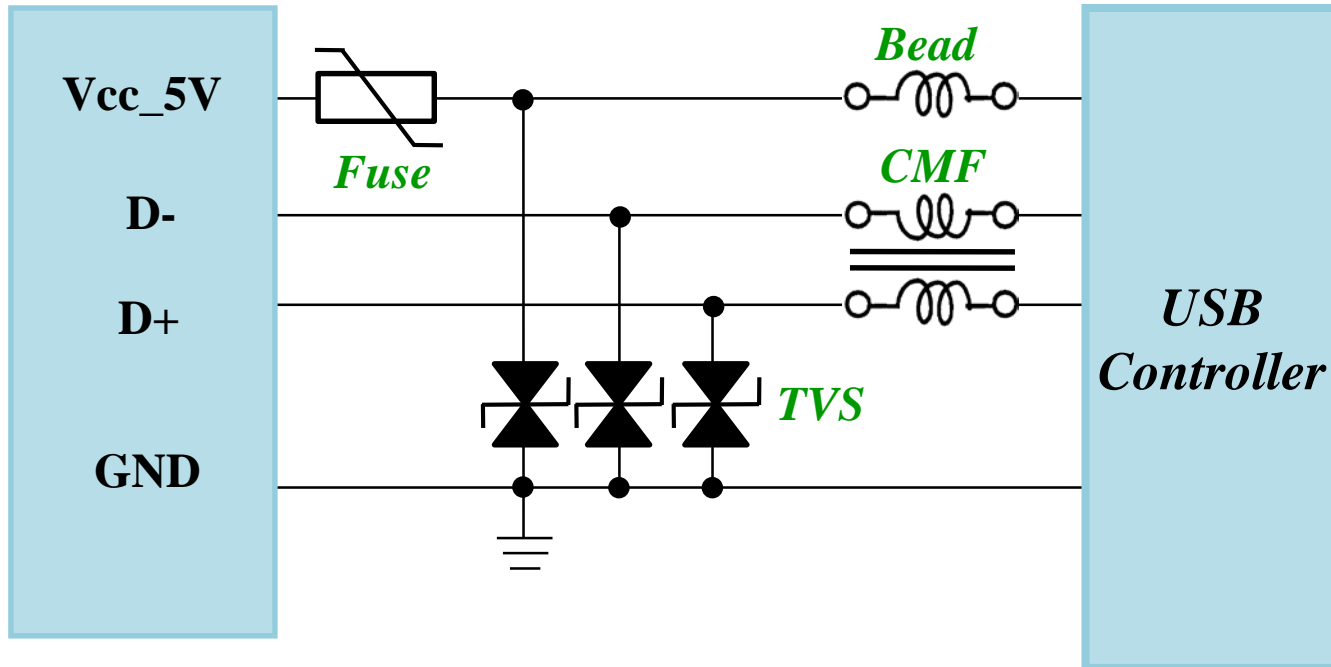


USB 2.0 (Single)



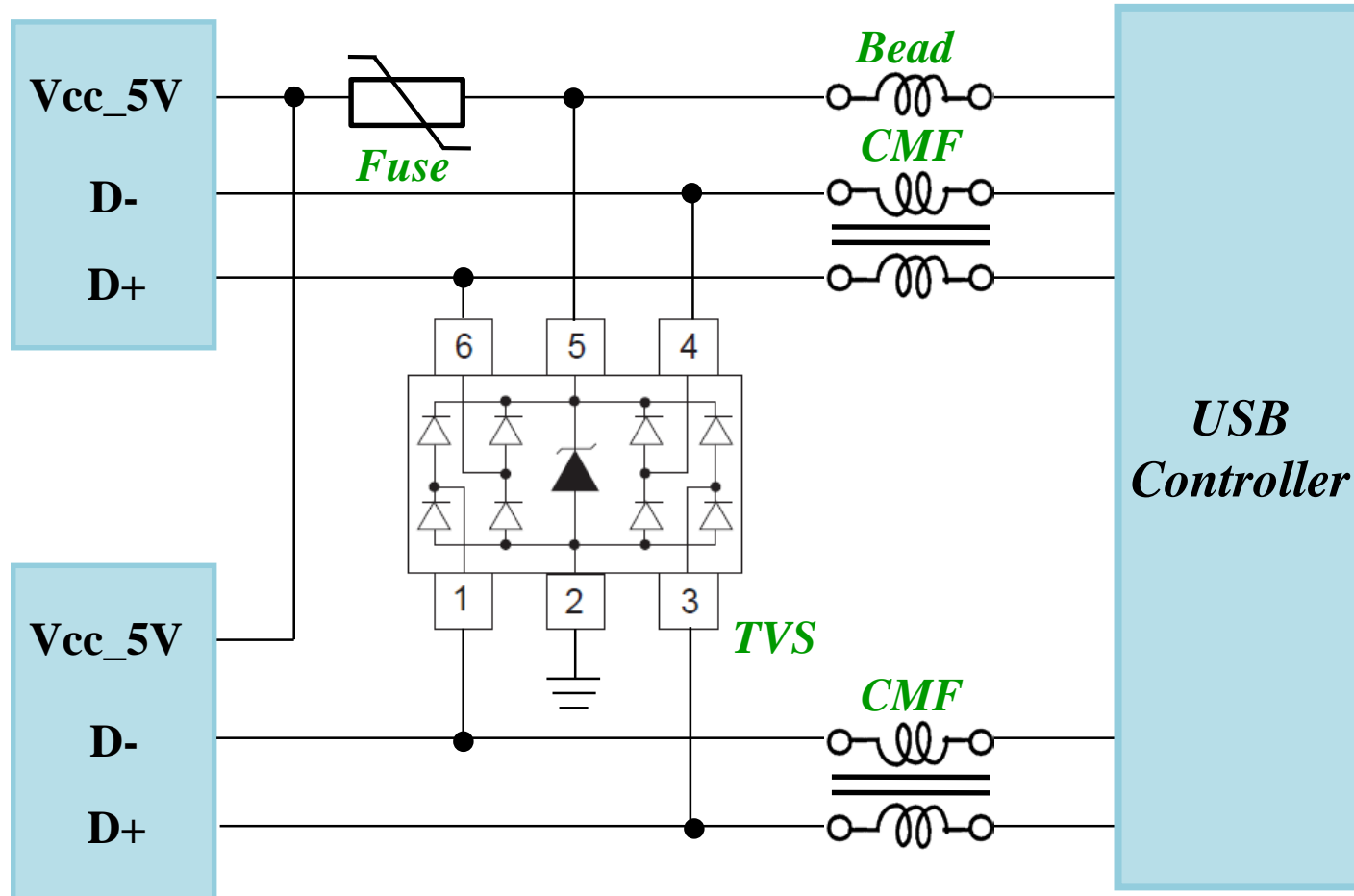
Fuse : Bourns MF-NSMF110-2

TVS : NichTek PDWL5R0R35-DFN1006

CMF : NichTek CMT2012900T

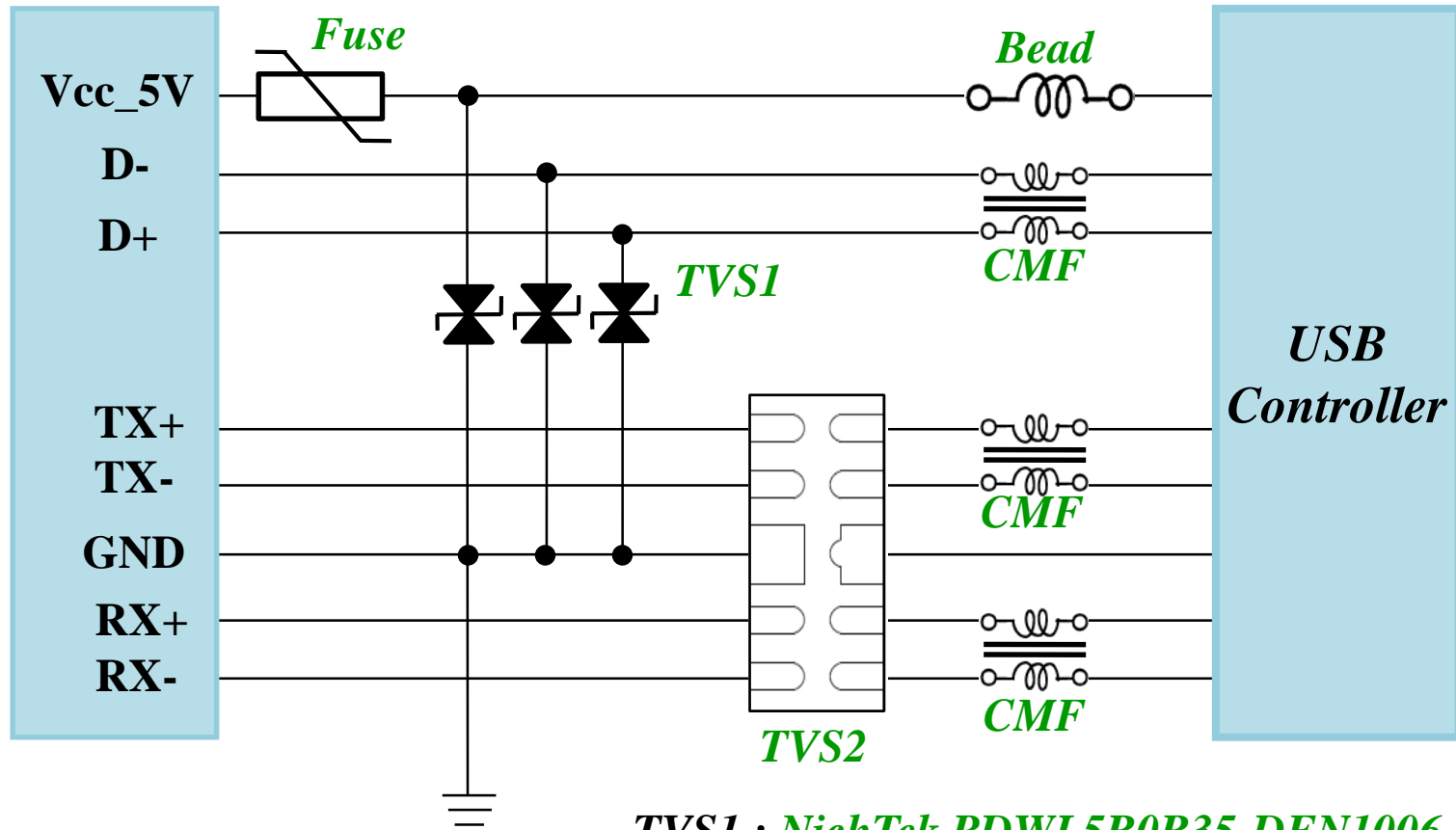
Bead : NichTek BTLK1005121T / BTLK2012221ET

USB 2.0 (Array)



- Fuse : Bourns MF-NSMF110-2*
- TVS : NichTek PDWL5R0R45-SOT236*
- CMF : NichTek CMT2012900T*
- Bead : NichTek BTLK1005121T / BTLK2012221ET*

USB 3.2 Gen 2



TVS1 : NichTek PDWL5R0R35-DFN1006

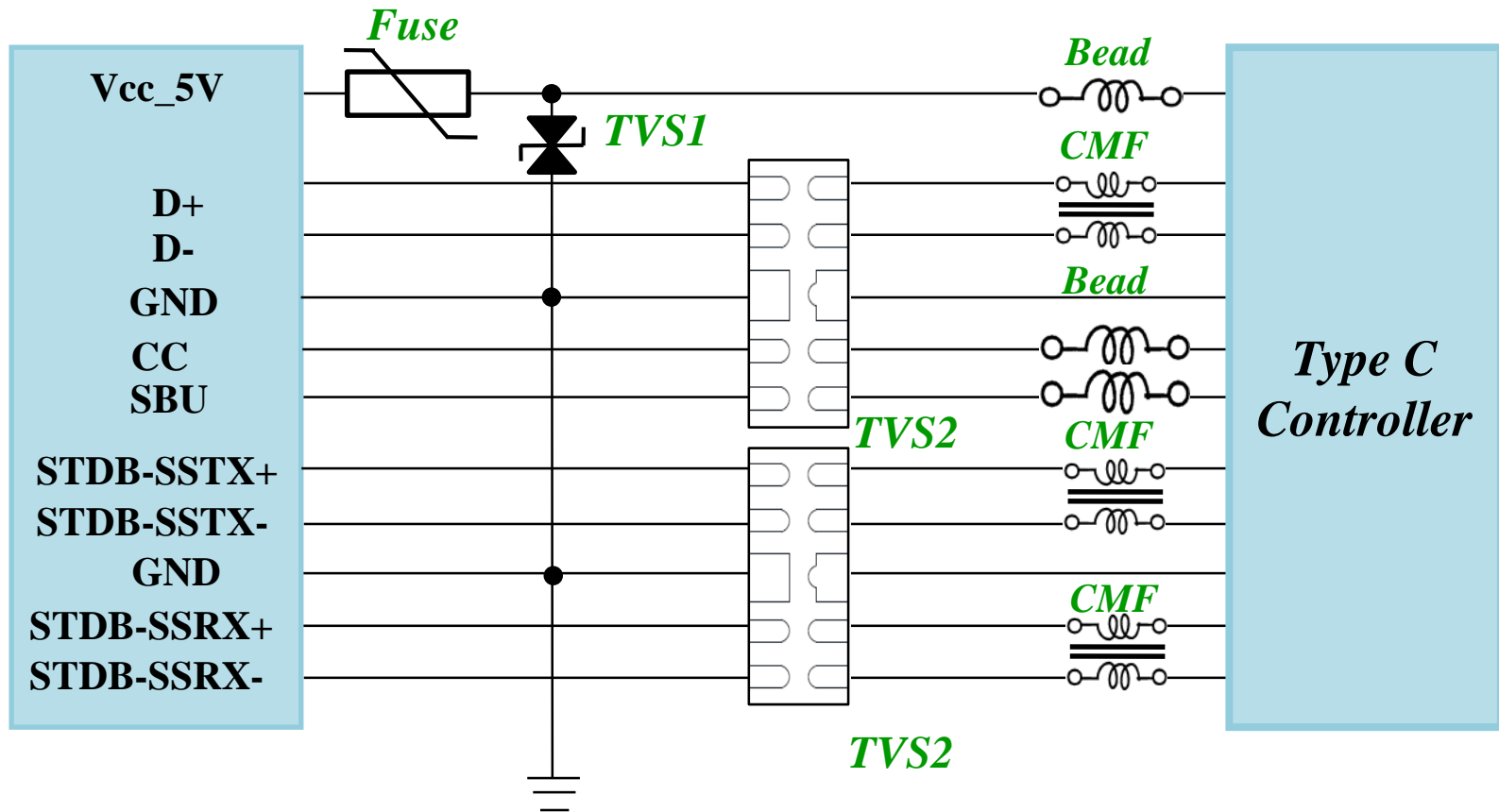
TVS2 : NichTek D2550-5R5

Fuse : Bourns MF-NSMF110-2

CMF : NichTek CMTU2012900T

Bead : NichTek BTLK1005121T / BTLK2012221ET

Type C



TVS1: NichTek PDWL5R0R35-DFN1006

TVS2: NichTek D2550-5R5

Fuse: Bourns MF-NSMF110-2

CMF : NichTek CMTU2012900T

Bead : NichTek BTLK1005121T / BTLK2012221ET